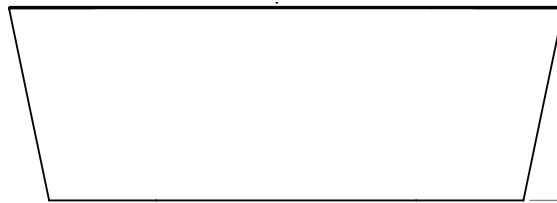
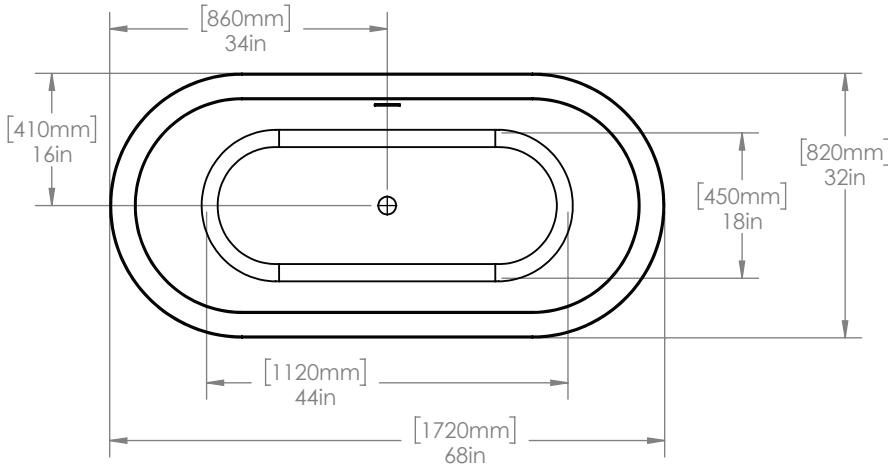




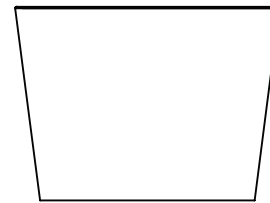
**A&E Bath and Shower**  
 6400A St. Jacques West  
 Montreal, QC, Canada  
 H4B 1T6  
 www.aebath.com

Model Modèle: Tampa  
 Freestanding bathtub *Baignoire autoportante*

**TOP VIEW VUE DE DESSUS**



**FRONT VIEW VUE DE FACE**



**SIDE VIEW VUE DE CÔTÉ**

\* Dimensions may vary +/- 1/4" (6mm) / Les dimensions peuvent varier de +/- 1/4" (6mm)

gallons to overflow /	63 gal.
packaging dimension /	70 X 34 X 26 (in)
approximated weight /	97 lbs
weight with water /	623 lbs
bathing well at sump /	44 X 18 (in)

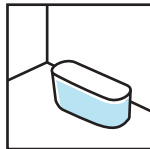


**Compliance Certifications:**

Uniform Plumbing Code  
 National Plumbing Code of Canada  
 CSA B45.5-17/IAPMO Z124-2017



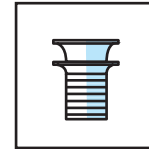
Pure acrylic construction reinforced by fiberglass  
*Construction en acrylique renforcée de fibre de verre*



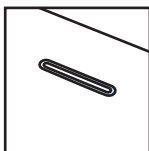
Freestanding installation  
*Installation autoportante*



Adjustable feet  
*Pattes ajustables*



Chrome drain included  
*Drain chrome inclu*



Integrated chrome linear overflow  
*Trop plein linéaire chrome intégré*



CUPC certified  
*Certifié CUPC*